

SWITCH SPECIFICATIONS

Switch - Graphic Panel Size

A2 (594 x 420mm)

Switch - Visual Area

574 x 400mm

SYSTEM SIZES

BOXED SIZE

Switch

935 (H) x 585 (W) x 85 (D) mm
560 (H) x 485 (W) x 120 (D) mm

ASSEMBLED SIZE

Switch

915 (H) x 585 (D) x 475 (D) mm

BOXED WEIGHT

Switch 11.8kg

COMPONENT LIST

Switch

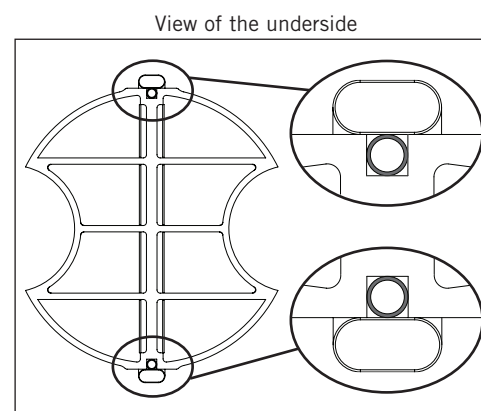
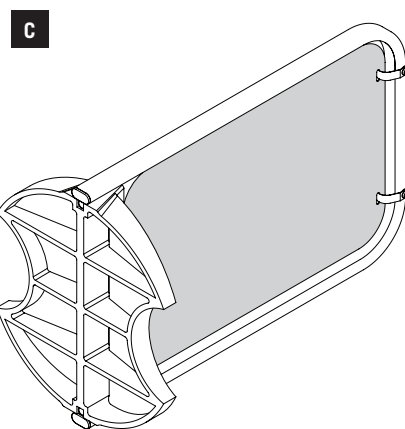
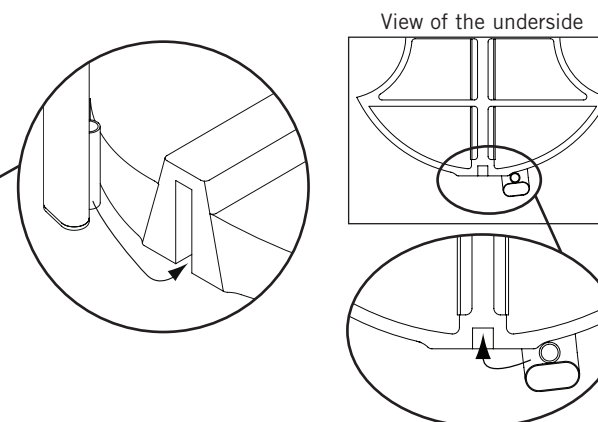
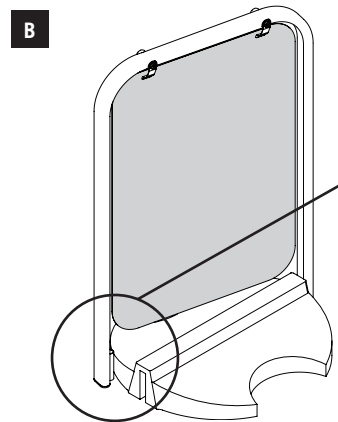
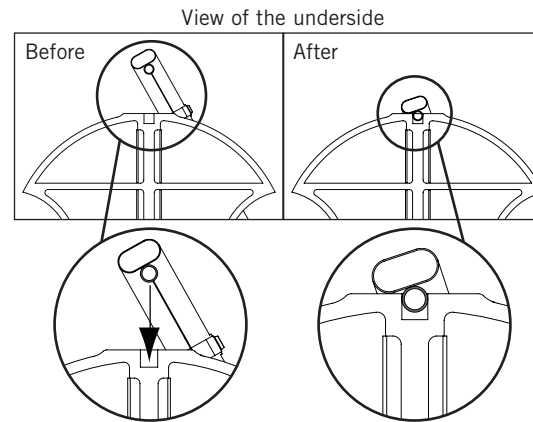
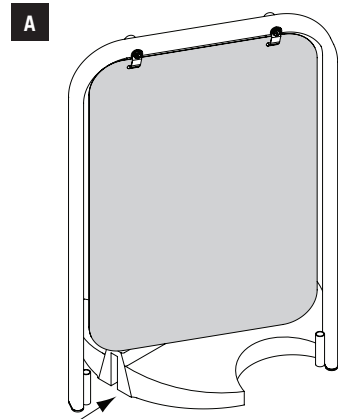
- 1 off recycled PVC base
- 1 off flexible pocket
- 1 off steel frame
- 1 off 4mm allen key

Items attached to steel frame:

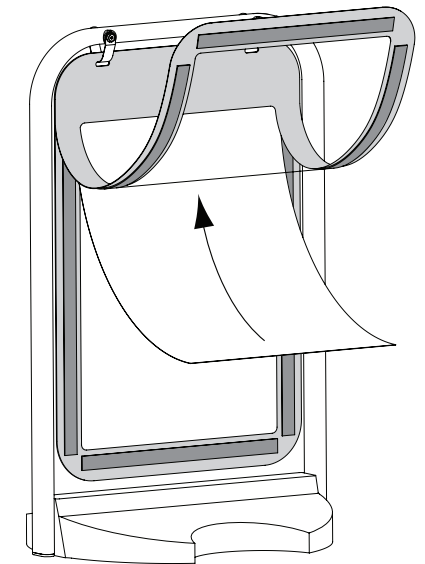
- 2 off panel hanging clip
- 2 off panel hanging clip
- 4 off screw
- 4 off saddle washer
- 4 off finishing washer

See overleaf for Classic specifications and components list

SWITCH/CLASSIC - ASSEMBLY



SWITCH - ADDING GRAPHICS



SWITCH/CLASSIC - FULLY ASSEMBLED

